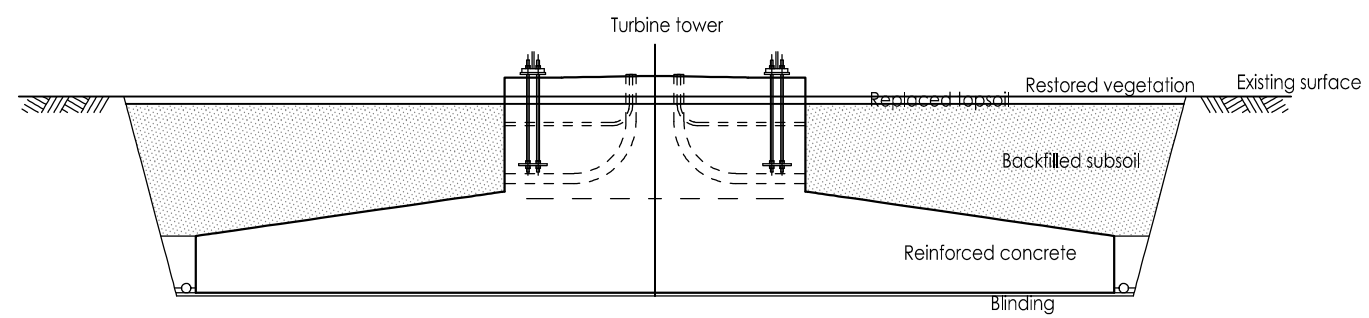
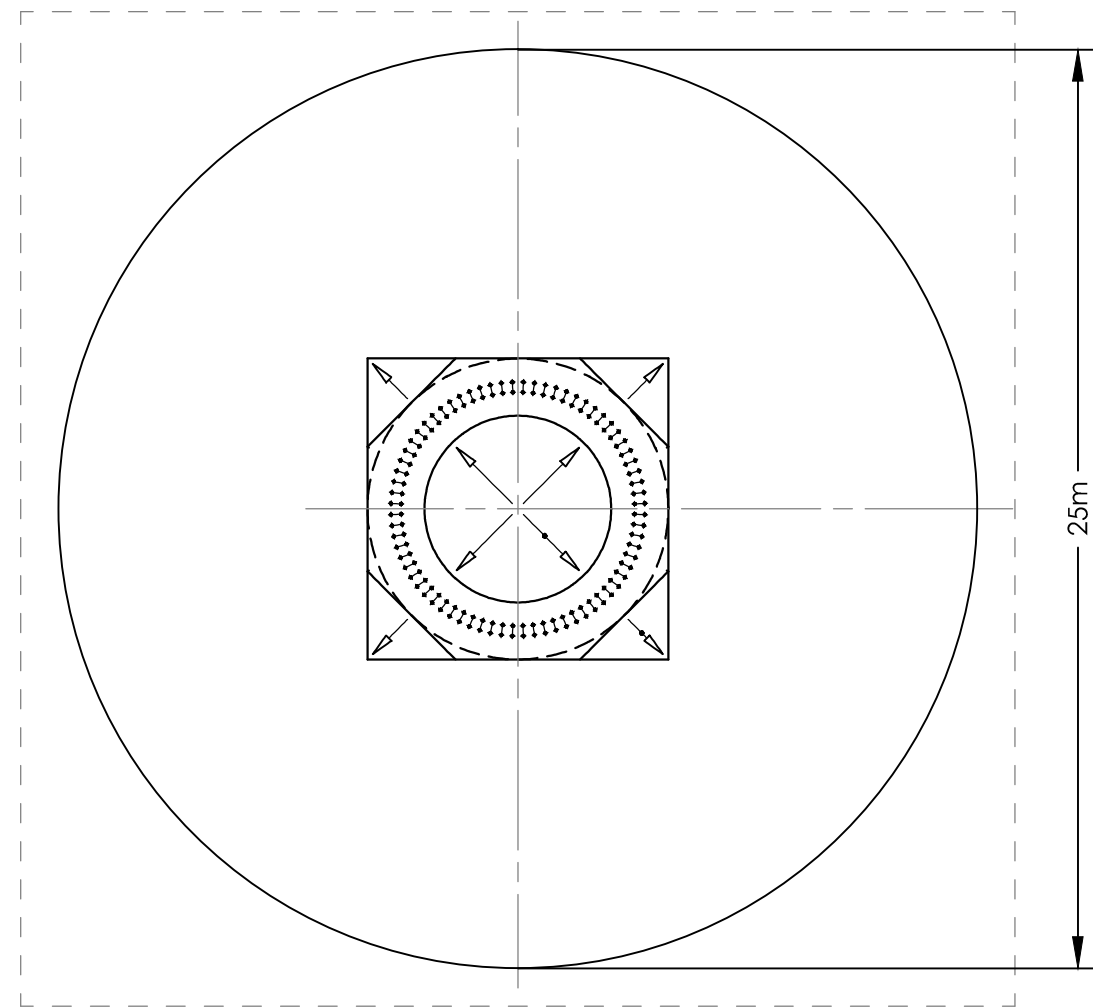


Figure 3-5  
Indicative Foundations



not to scale