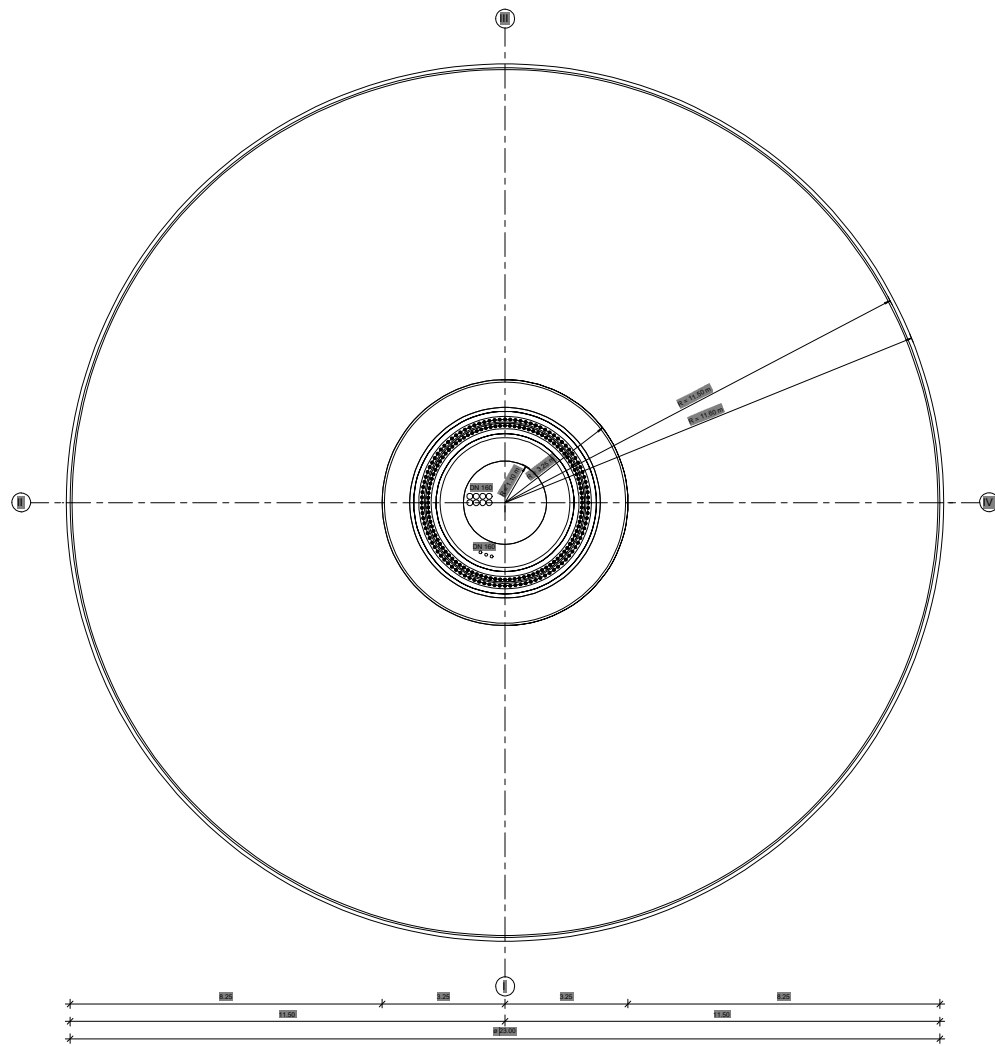


INDICATIVE TURBINE FOUNDATION

Scale 1:140 (Approx)



INDICATIVE TURBINE FOUNDATION PLAN

Rev.	By	App.	Description	Date
P03	SNC	-	ADDED FOUNDATION PLAN.	18/05/2023
P02	SNC	-	AMENDED BASED ON ERG COMMENTS.	15/02/2023
P01	SNC	-	INITIAL ISSUE.	27/01/2023

© THE COPYRIGHT OF THIS DRAWING SUBSISTS WITH RAMSAY and CHALMERS



Creag Riabhach Wind Farm Extension

Figure 3.4: Indicative Turbine Foundations

Drawing number CRE-RAC-ZZ-XX-DR-C-0203-P03	Imp. CRE	Dcs. RAC	Type. C	Prog. 0203	Rev. P03
Date: 2023-05-18	Map Scale: not to scale				
Prepared by: SNC	Checked by: -	Approved by: -			

Page size: A3 (420 x 297 mm)

OSGC 1936 / British National Grid